

# iTmax

16:9 Fine Pitch COB and MiP LED Display

## Applications

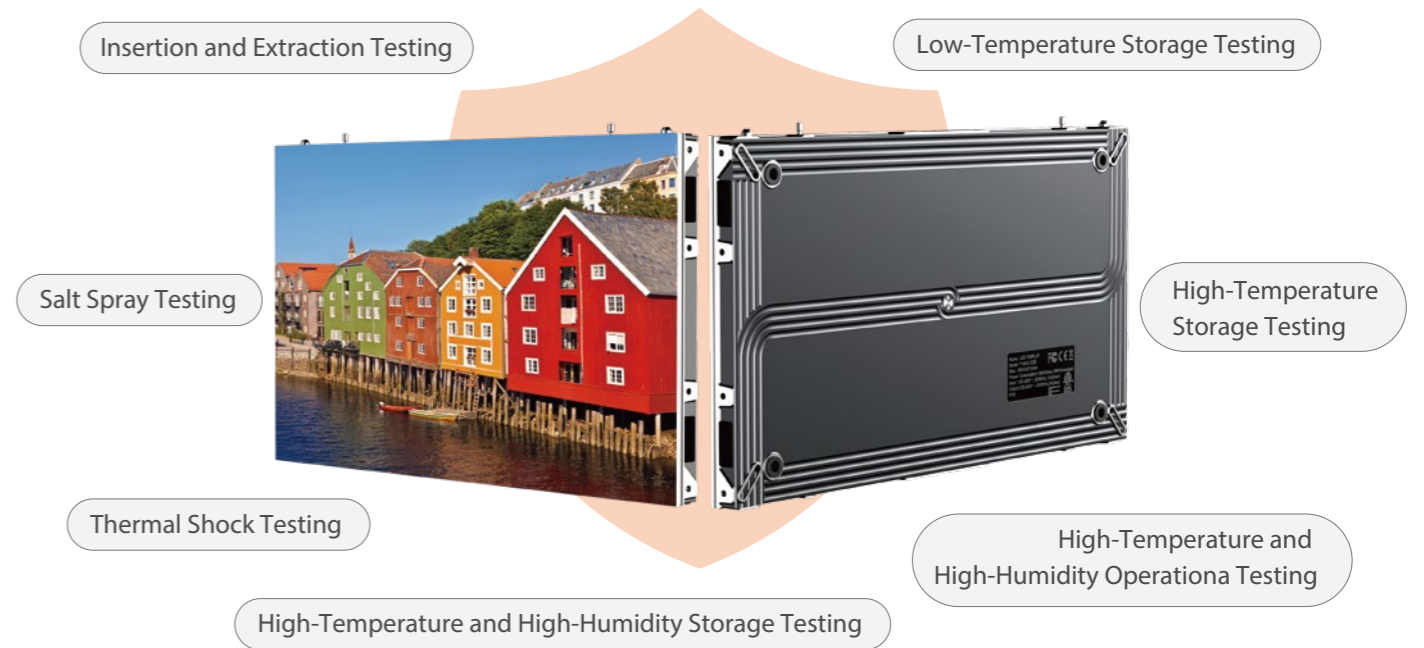
- Lobby
- Shopping Malls
- TV Studio Broadcast
- Showroom
- Fashion Stores
- Car Dealers
- Airport



## Various Installation Way

- Wall Mounted
- Hanging
- Floor Standing
- Curved Installation

## Ultra-high Reliability

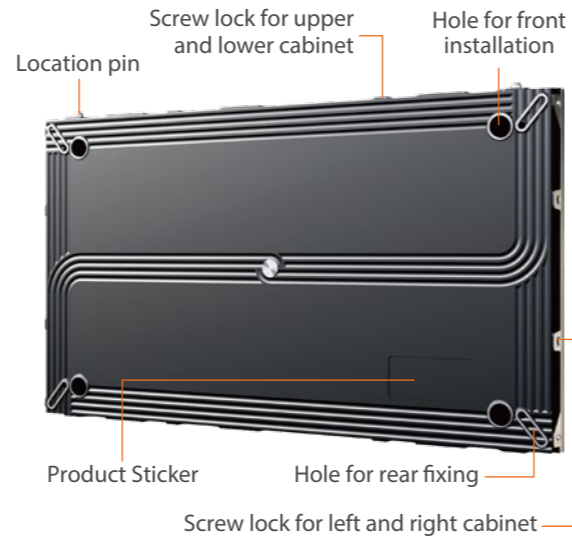
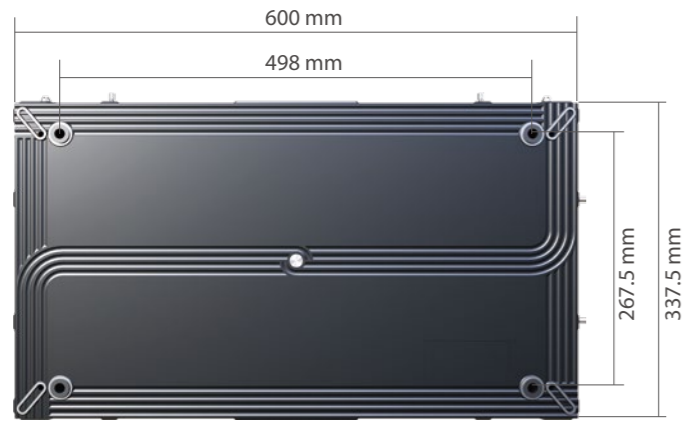


## COB Technology

Enhanced Protection Technology- Extra Protective Coating for Greater Stability.

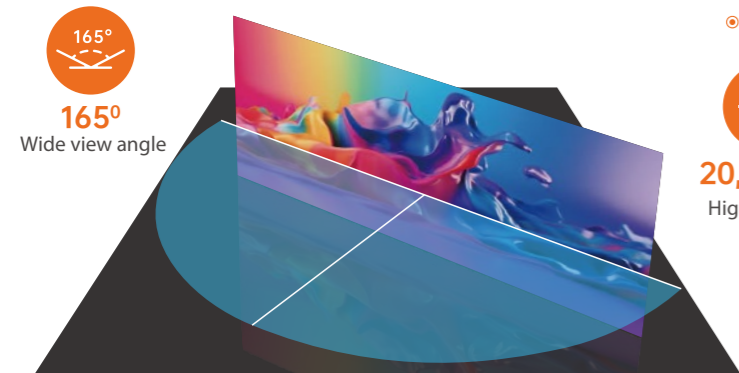


### Cabinet Dimension and Details



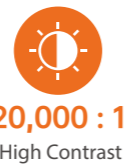
### Wider Content Coverage

Wide 165° viewing angle, it ensures superior color and image consistency, even from off-center perspectives.



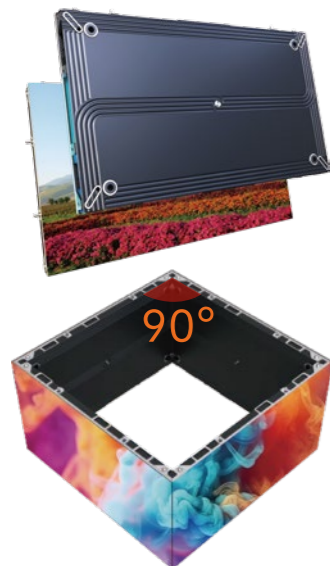
### Extraordinary Deep Blacks

- Broadcast level display
- Betterflatness · Perfect black
- Consistency · Non glaring · No reflection



### Creative Shapes-90° Splicing

Transform Spaces with 90° Precision



### iTmax COB Specification

Item Number	iTC0.7	iTC0.9	iTC1.2	iTC1.5
Pixel Pitch	0.78125mm	0.9375mm	1.25mm	1.5625mm
Pixel Density	1,638,400 pixels/m <sup>2</sup>	1,137,777 pixels/m <sup>2</sup>	640,000 pixels/m <sup>2</sup>	409,600 pixels/m <sup>2</sup>
LED Type	COB			
LED Configuration	1R 1G 1B			
Module Dimension	150 x 168.75mm			
Module Resolution	192 x 216 pixels	160 x 180 pixels	120 x 135 pixels	96 x 108 pixels
Module Weight	0.15g			
Module Thickness	2.6mm			
Module Number	W4 x H2			
Cabinet Dimension	600 x 337.5 x 31.3mm			
Cabinet Resolution	768 x 432 pixels	640 x 360 pixels	480 x 270 pixels	384 x 216 pixels
Cabinet Weight	21.7kg/sqm			
Cabinet Material	Die-casting Aluminum			
Standard Brightness	600-1,000 nits	600-1,000 nits	600-1,000 nits	600-800 nits
Brightness Control	Manual / Auto / Programmable			
Color Temperate	6,500 K as standard			
Colors	281 Trillion			
Contrast Ratio	20,000 : 1			
Gray Scale	13-22 bit			
Refresh Rate	7,680HZ (Configurable)			
Viewing Distance	>1 m			
Ingress Protection	IP20			
Maintenance	Front only			
Bezel Width	None			
Gap Between Cabinets	Seamless			
Max Power Consumption	270-523 ±3%W/m <sup>2</sup>	270-500 ±3%W/m <sup>2</sup>	270-523 ±3%W/m <sup>2</sup>	270-450 ±3%W/m <sup>2</sup>
Ave Power Consumption	53W/m <sup>2</sup>	53W/m <sup>2</sup>	53W/m <sup>2</sup>	53W/m <sup>2</sup>
LED Life Time	100,000 Hours			
Screen Angle	Flat, 90°			
Standard Installation Method	Direct Wall Mounting			
Optional Installation Method	Stacking / Hanging			
Visual View Angle	165° / 165° (H/V)			
Video Frame Rate	50 / 60 HZ			
Input Voltage	100-240V ± 10%			
Date Interconnection	CATS/6, Multi / Single-mode fiber			
Operating Temperature	-20~ +45 °C			
Signal Input Source	S-video, VGA, DVI, HDMI, SDI			
Certificate	CE, ETL, FCC, EMC A			

Remarks: The power consumption will fluctuate within ± 15%, depending on the brightness of different batches of lamps, subject to the actual situation.



By leveraging a groundbreaking substrate-free Micro LED design, we eliminate substraterefraction, achieving a significantly widest light output angle-175°.





**40%**  
Energy Saving



**16:9**  
Golden Ratio



**175°**  
Viewing Angle



**100,000:1**  
High Contrast



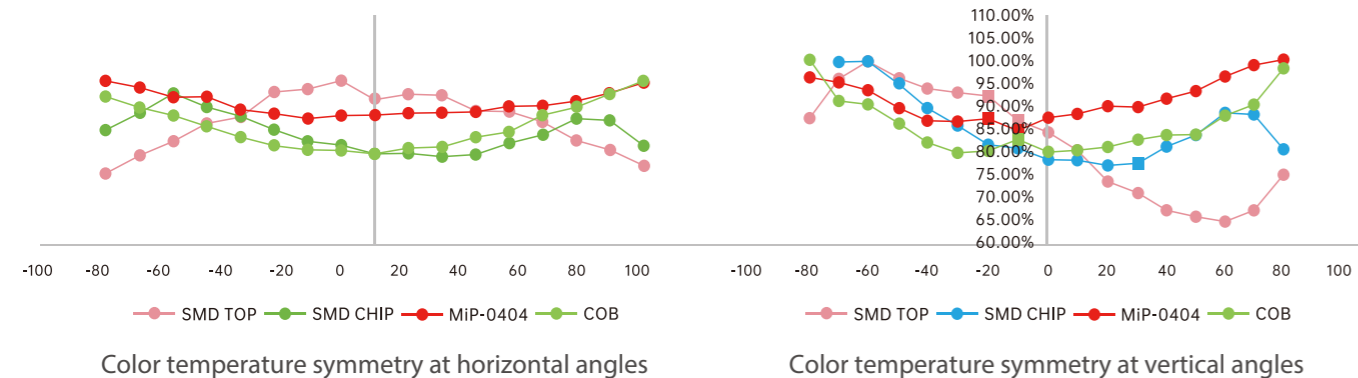
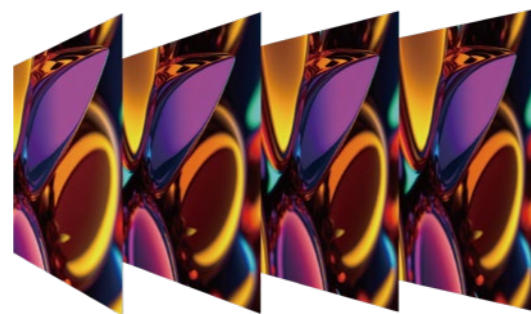
**MiP**  
Technology

## 99.03% Black Area Ratio

Harnessing the world's smallest Micro LED chip 0202 and a substrate-free design, with a luminous area occupying just 1%, our display achieves an exceptionally pure deep black, delivering an unparalleled contrast ratio for the ultimate visual experience.



## No Color Shift



## iTmax MiP Specification

Item Number	iTM0.7	iTM0.9
Pixel Pitch	0.78125mm	0.9375mm
Pixel Density	1,638,400 pixels/m <sup>2</sup>	1,137,777 pixels/m <sup>2</sup>
LED Type	MIP0202	MIP0202
Chip Size	34 x 58 um	34 x 58 um
LED Configuration	1R 1G 1B	1R 1G 1B
Module Dimension	150 x 168.75mm	150 x 168.75mm
Module Resolution	192 x 216 pixels	160 x 180 pixels
Module Weight	0.15g	0.15g
Module Thickness	2.35mm	2.35mm
Module Number	W4 x H2	W4 x H2
Cabinet Dimension	600 x 337.5 x 31.1mm	600 x 337.5 x 31.1mm
Cabinet Resolution	768 x 432 pixels	640 x 360 pixels
Cabinet Weight	21.7kg/sqm or 4.38kg/panel	21.7kg/sqm or 4.38kg/panel
Cabinet Material	Die-casting Aluminum	Die-casting Aluminum
Standard Brightness	600-1,000 nits	600-1,000 nits
Brightness Control	Manual / Auto / Programmable	Manual / Auto / Programmable
Color Temperature	6,500 K as standard	6,500 K as standard
Colors	281 Trillion	281 Trillion
Contrast Ratio	100,000 : 1	100,000 : 1
Gray Scale	16 bit	16 bit
Refresh Rate	7,680HZ (Configurable)	7,680HZ (Configurable)
Viewing Distance	>1 m	> 1 m
Ingress Protection	IP20	IP20
Maintenance	Front only	Front only
Bezel Width	None	None
Gap Between Cabinets	Seamless	Seamless
Drive Mode	Common Cathode	Common Cathode
Max Power Consumption	350-640 ±3%W/m <sup>2</sup>	350-640 ±3%W/m <sup>2</sup>
Ave Power Consumption	120W/m <sup>2</sup>	120W/m <sup>2</sup>
LED Life Time	100,000 Hours	100,000 Hours
Screen Angle	Flat, 90°	Flat, 90°
Standard Installation Method	Direct Wall Mounting	Direct Wall Mounting
Optional Installation Method	Stacking / Hanging	Stacking / Hanging
Visual View Angle	175° / 175° (H/V)	175° / 175° (H/V)
Video Frame Rate	50/60 HZ	50/60 HZ
Input Voltage	100-240V ± 10%	100-240V ± 10%
Data Interconnection	CAT5/6, Multi / Single-mode fiber	CAT5/6, Multi / Single-mode fiber
Operating Temperature	-20~ +45 °C	-20~ +45 °C
Signal Input Source	S-video, VGA, DVI, HDMI, SDI	S-video, VGA, DVI, HDMI, SDI
Certificate	CE, ETL, FCC, EMC A	CE, ETL, FCC, EMC A

Remarks: The power consumption will fluctuate within ± 15%, depending on the brightness of different batches of lamps, subject to the actual situation.

